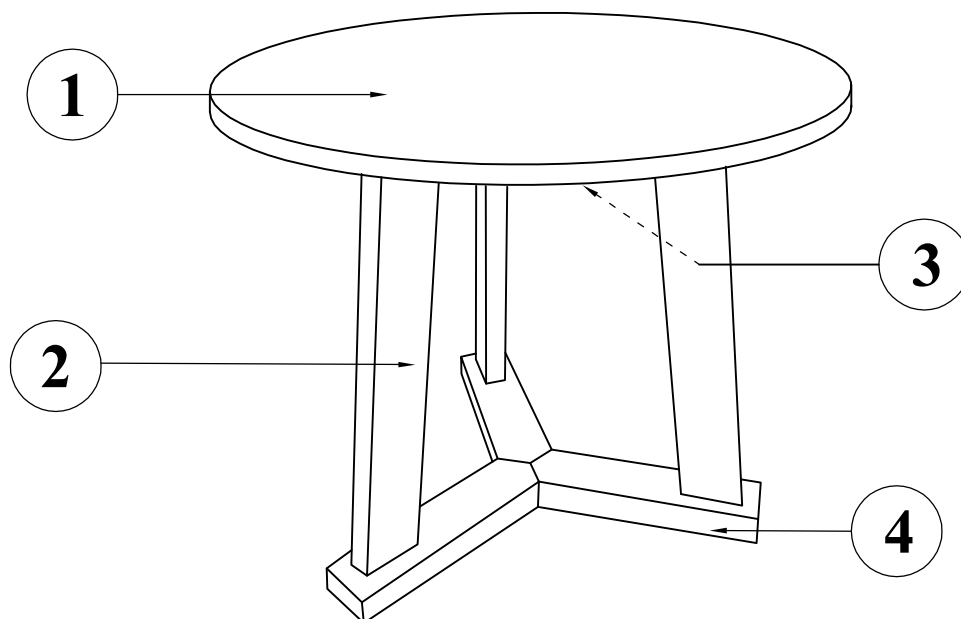


**ASSEMBLY INSTRUCTIONS**

**MODEL: TLF-1729**  
**FETCYAWM220904WN**


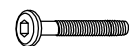


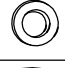

**COMPLETE ASSEMBLY**

**THANK YOU FOR PURCHASING THIS QUALITY PRODUCT. BE SURE TO CHECK ALL PACKING MATERIAL CAREFULLY FOR SMALL PARTS WHICH MAY HAVE COME LOOSE INSIDE THE CARTON DURING THE SHIPMENT. SEPARATE, IDENTIFY AND COUNT ALL PARTS AND METAL HARDWARE, COMPARE WITH THE PARTS LISTS BELOW TO BE SURE ALL PARTS ARE PRESENT.**

**PART LIST**

CODE	DESCRIPTION	QTY.
1	TABLE TOP	1 PC
2	CENTER LEG BAR	3 PCS
3	LEG UPPER BAR	1 PC
4	BOTTOM UPPER BAR	1 PC

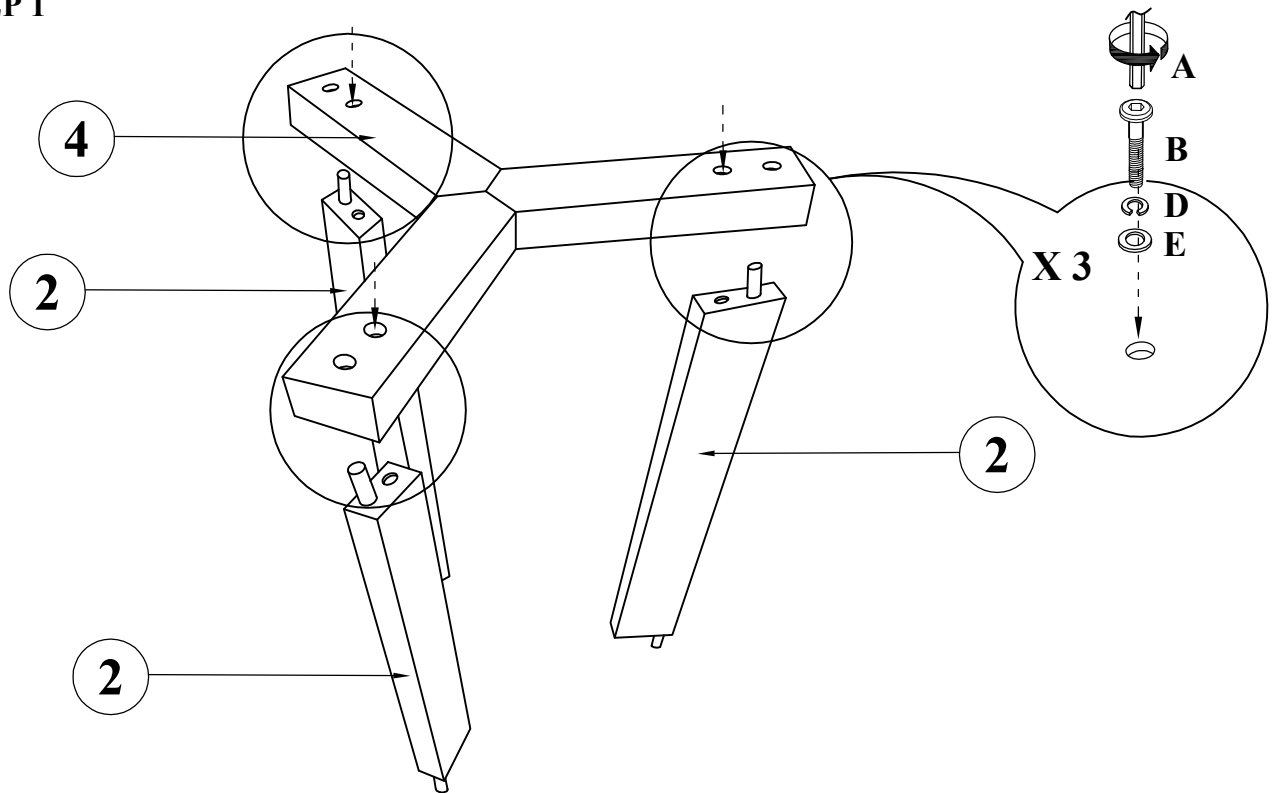
**HARDWARE LIST**

CODE	DESCRIPTION	QTY.
A	 ALLEN KEY M4 X 110 MM	1 PC
B	 JCBC BOLT M6 X 50MM	6 PCS
C	 JCBC BOLT M6 X 30MM	3 PCS
D	 SPRING WASHER 1/4"	9 PCS
E	 FLAT WASHER M6 X 13MM	9 PCS
F	 ADJUSTER M6 X 24MM	3 PCS

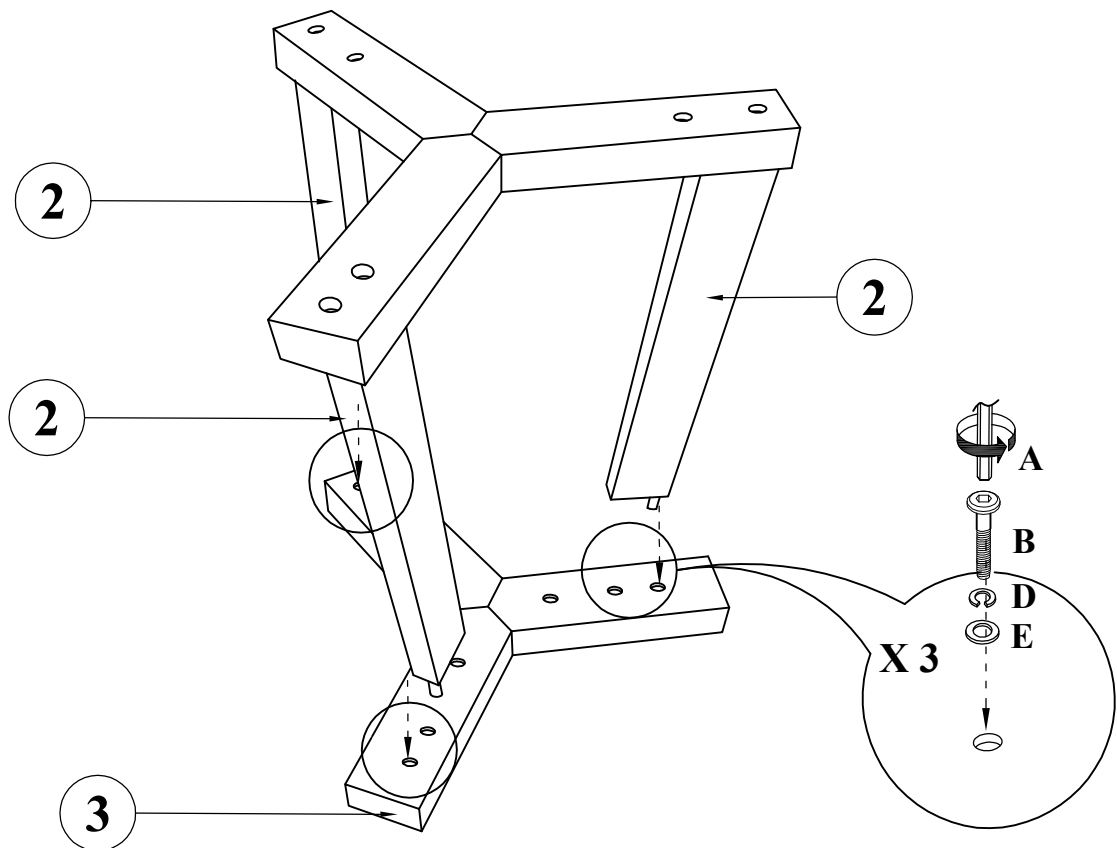
ASSEMBLY INSTRUCTIONS  
MODEL: TLF-1729  
FETCYAWM220904WN

R&D-YAW-AI

STEP 1



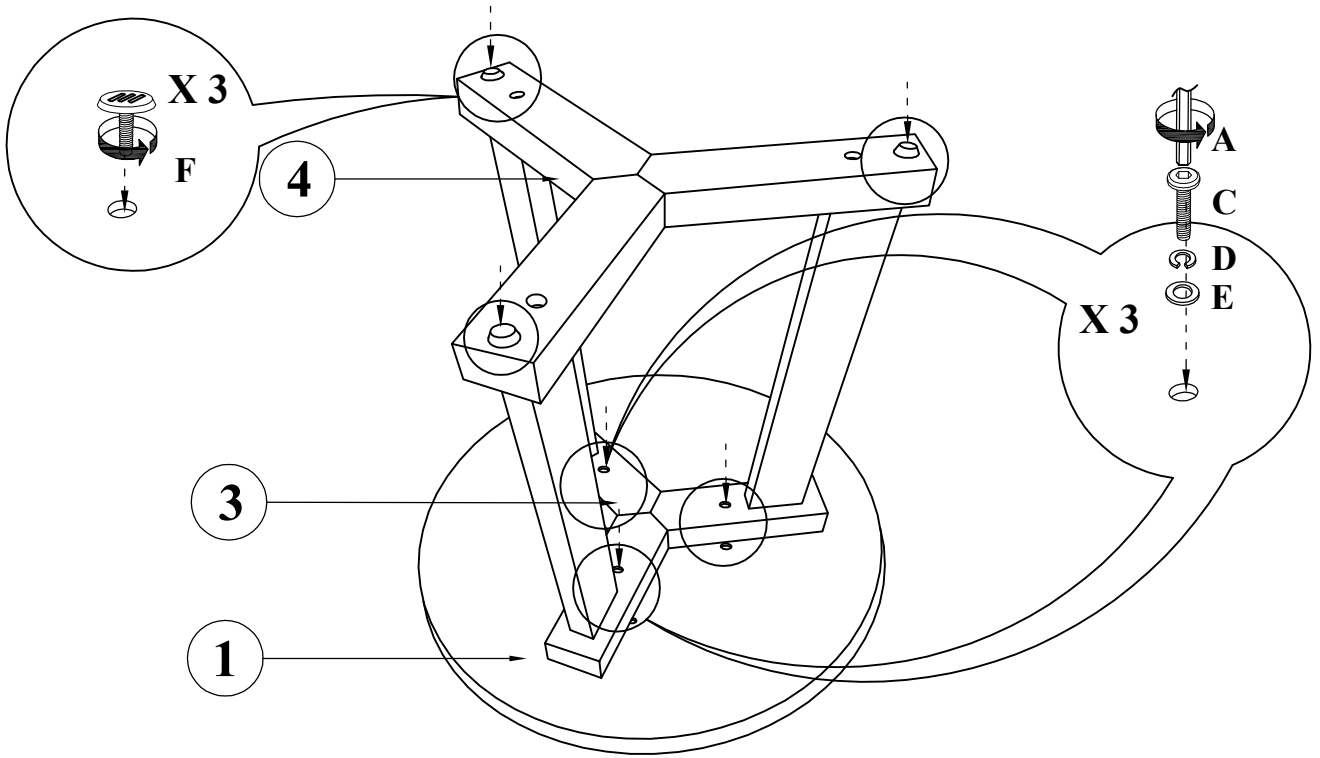
STEP 2



ASSEMBLY INSTRUCTIONS  
MODEL: TLF-1729  
FETCYAWM220904WN

R&D-YAW-AI

STEP 3



STEP 4

