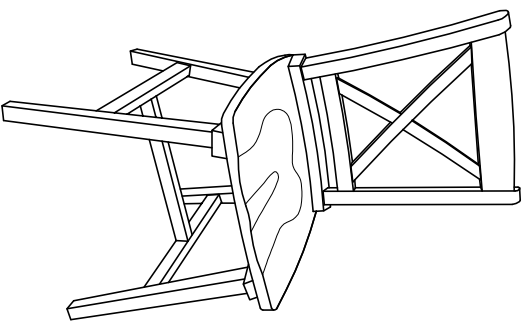
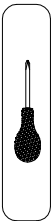


**CDK - 0730**  
**FDTSYAWM220902CC**

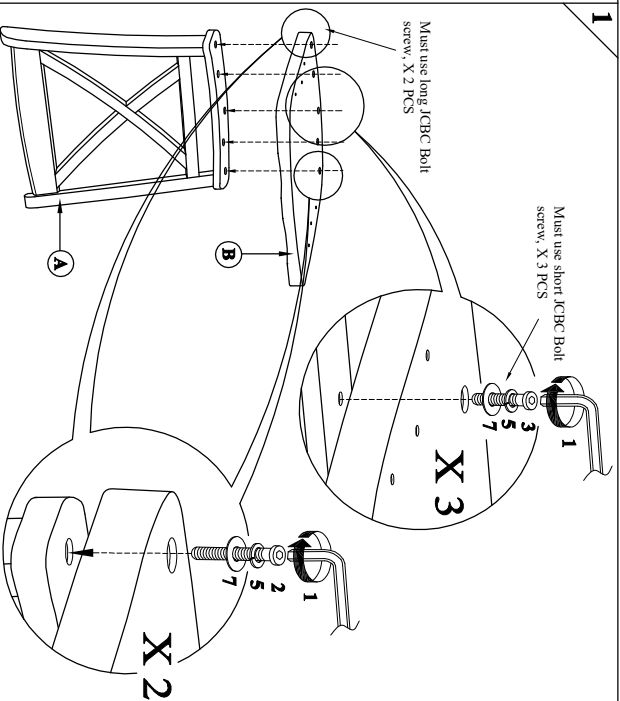


|          |  |       |          |  |                    |        |
|----------|--|-------|----------|--|--------------------|--------|
| <b>A</b> |  | 2 PCS | <b>1</b> |  | AL M4 X 110MM      | 1 PC   |
| <b>B</b> |  | 2 PCS | <b>2</b> |  | JB M6 X 50MM       | 4 PCS  |
| <b>C</b> |  | 2 PCS | <b>3</b> |  | JB M6 X 35MM       | 6 PCS  |
| <b>D</b> |  | 2 PCS | <b>4</b> |  | JB W/ M7 X 35MM    | 12 PCS |
| <b>E</b> |  | 2 PCS | <b>5</b> |  | SW 1/4"            | 22 PCS |
|          |  |       | <b>6</b> |  | FW M6 X 13MM       | 12 PCS |
|          |  |       | <b>7</b> |  | FW 1/4"            | 10 PCS |
|          |  |       | <b>8</b> |  | PH CBS #8 X 1 1/2" | 4 PCS  |

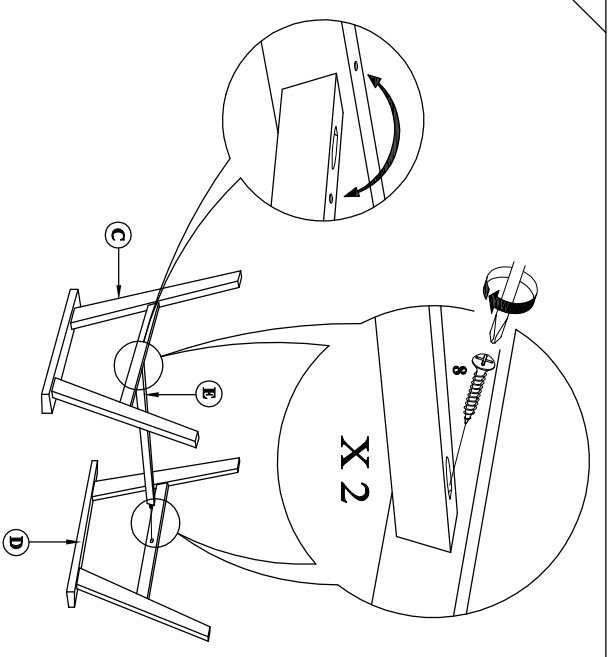


**NOTE : QUANTITIES SHOWN ARE FOR TWO CHAIRS**

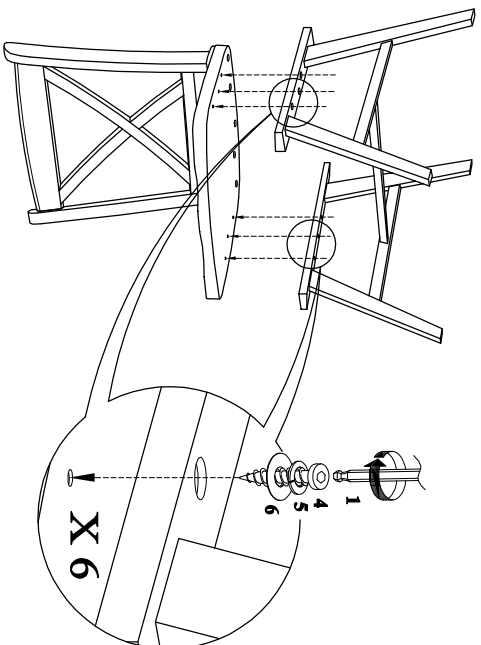
**1**



**2**

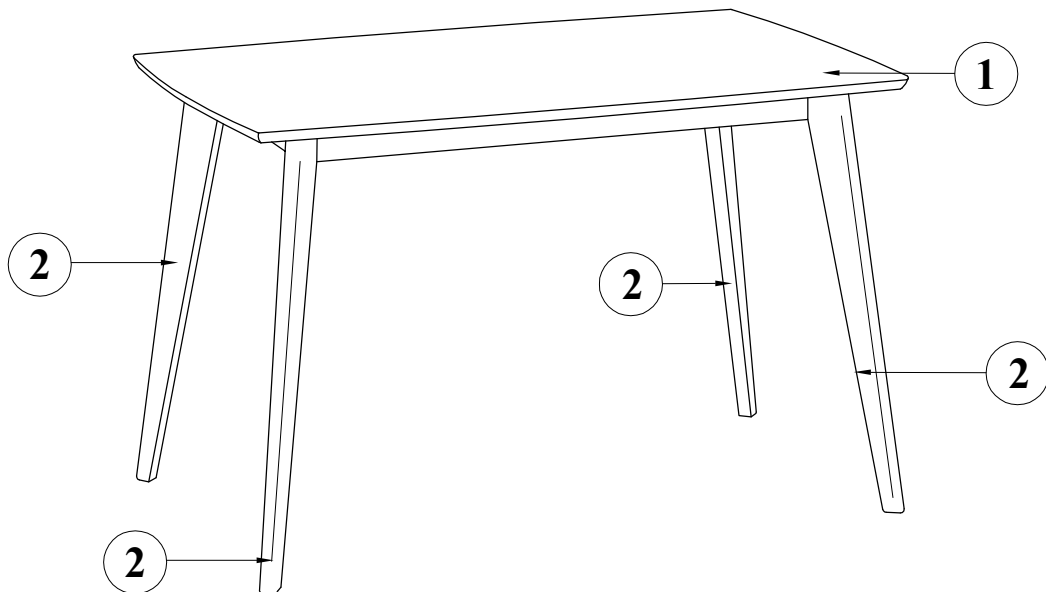


**3**



**ASSEMBLY INSTRUCTIONS**

**MODEL:TDF-1740**  
**FDTSYAWM220902CC**





**COMPLETE ASSEMBLY**

**THANK YOU FOR PURCHASING THIS QUALITY PRODUCT. BE SURE TO CHECK ALL PACKING MATERIAL CAREFULLY FOR SMALL PARTS WHICH MAY HAVE COME LOOSE INSIDE THE CARTON DURING THE SHIPMENT. SEPARATE, IDENTIFY AND COUNT ALL PARTS AND METAL HARDWARE, COMPARE WITH THE PARTS LISTS BELOW TO BE SURE ALL PARTS ARE PRESENT.**

**PART LIST**

| CODE | DESCRIPTION       | QTY.  |
|------|-------------------|-------|
| 1    | TABLE TOP W/APRON | 1 PC  |
| 2    | TABLE LEG         | 4 PCS |

**HARDWARE LIST**

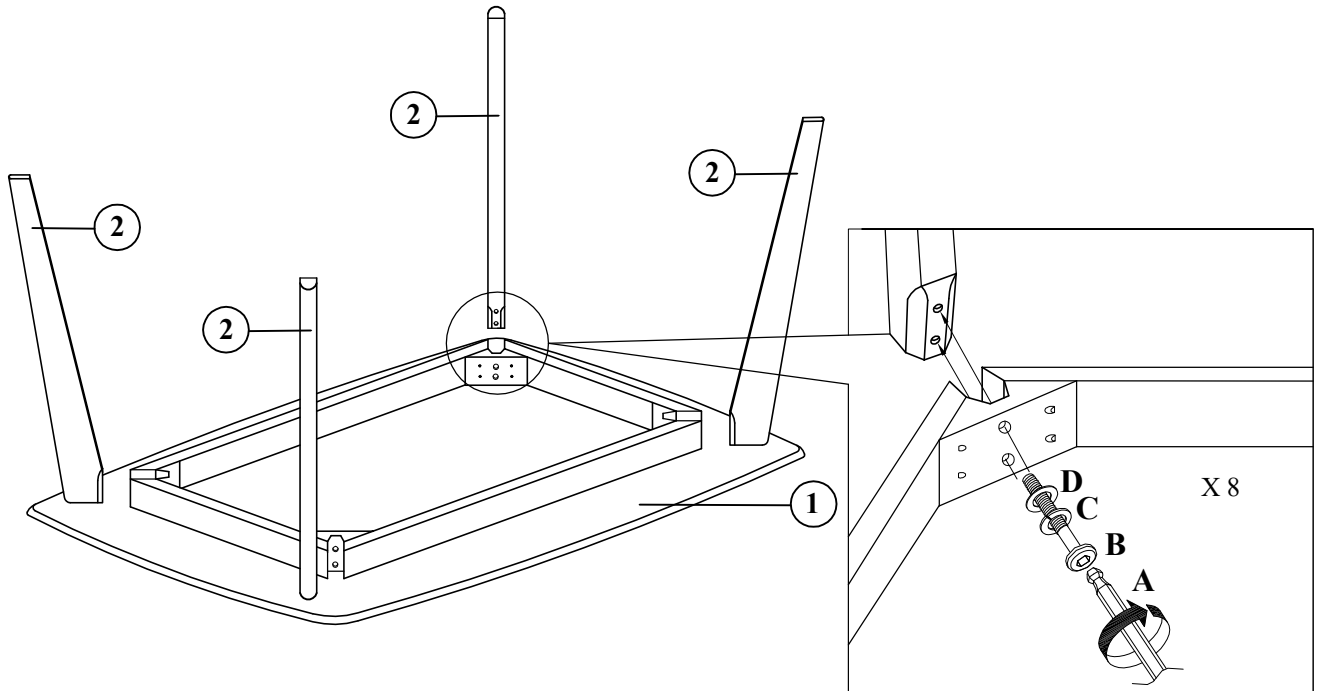
| CODE     | DESCRIPTION  | QTY.  |
|----------|--|-------|
| <b>A</b> |  ALLEN KEY<br>M4 X 63 MM | 1 PC  |
| <b>B</b> |  JCBC BOLT<br>M6 X 60MM  | 8 PCS |
| <b>C</b> |  SPRING WASHER<br>1/4"   | 8 PCS |
| <b>D</b> |  FLAT WASHER<br>5/16"    | 8 PCS |

ASSEMBLY INSTRUCTIONS

R&D-YAW-AI

MODEL:TDF-1740  
FDTSYAWM220902CC

STEP 1



STEP 2

