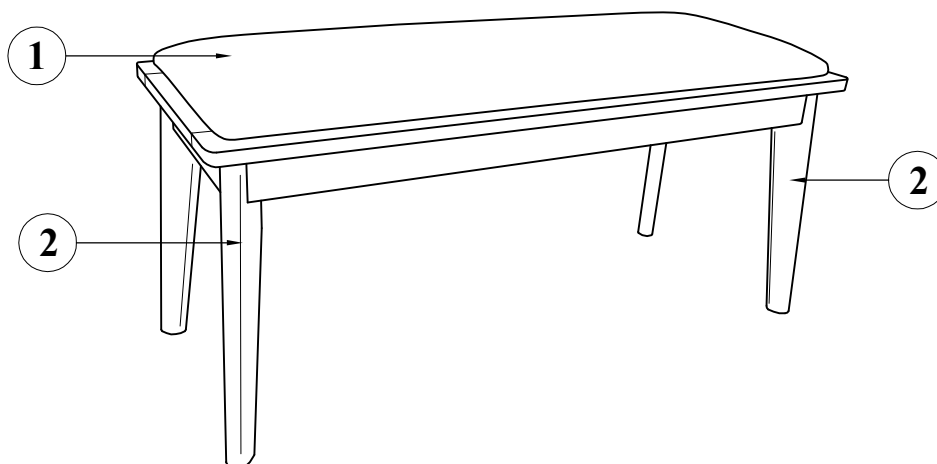


**ASSEMBLY INSTRUCTIONS**

**MODEL : CHK-1024**  
**FDTSYAWM220901CC**


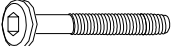




**THANK YOU FOR PURCHASING THIS QUALITY PRODUCT. BE SURE TO CHECK ALL PACKING MATERIAL CAREFULLY FOR SMALL PARTS WHICH MAY HAVE COME LOOSE INSIDE THE CARTON DURING THE SHIPMENT. SEPARATE, IDENTIFY AND COUNT ALL PARTS AND METAL HARDWARE, COMPARE WITH THE PARTS LISTS BELOW TO BE SURE ALL PARTS ARE PRESENT.**

**PART LIST**

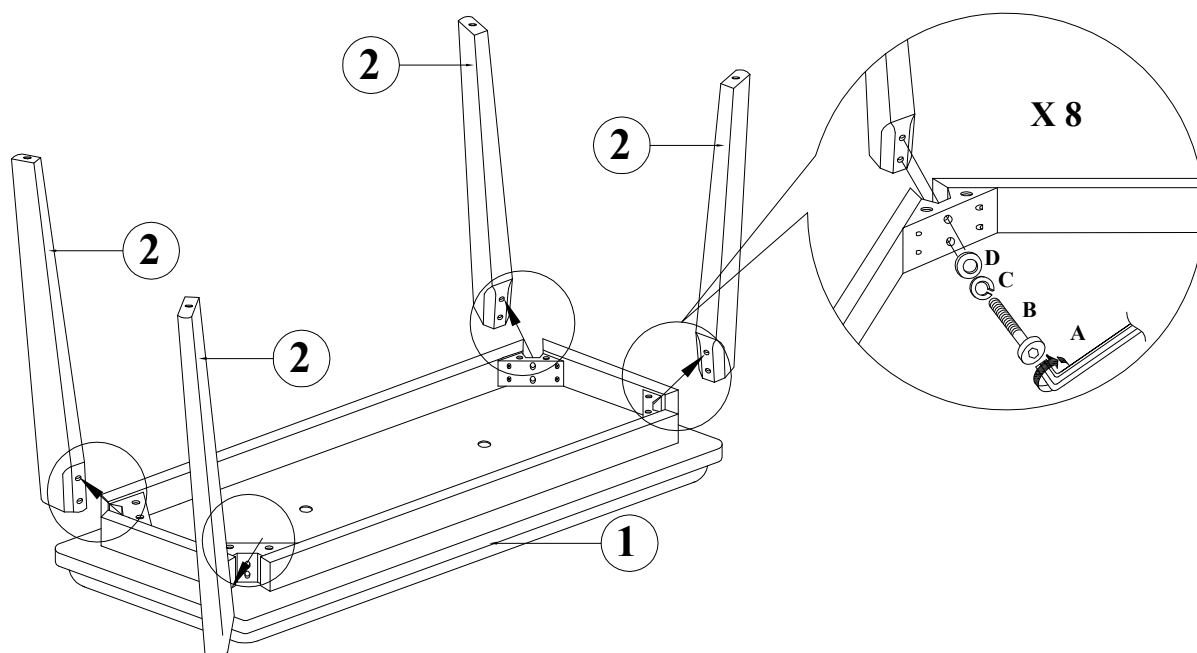
CODE	DESCRIPTION	QTY.
1	WOODEN SEAT W/APRON	1 SET
2	CHAIR LEG	4 PCS

**HARDWARE LIST**

CODE	DESCRIPTION	QTY.
<b>A</b>	 ALLEN KEY M4 X 63MM	1 PC
<b>B</b>	 JCBC BOLT M6 X 60MM	8 PCS
<b>C</b>	 SPRING WASHER 1/4"	8 PCS
<b>D</b>	 FLAT WASHER 1/4"	8 PCS

**ASSEMBLY INSTRUCTIONS**  
**MODEL : CHK-1024**  
**FDTSYAWM220901CC**

**STEP 1**



**STEP 2**

