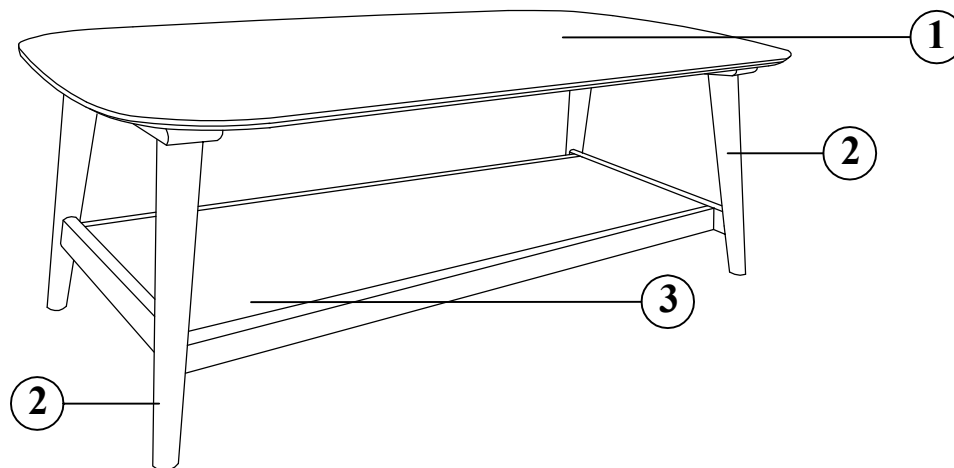


ASSEMBLY INSTRUCTIONS

MODEL : TLF-1554
FCOCYAWM220906WN


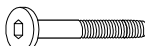



**COMPLETE ASSEMBLY**

THANK YOU FOR PURCHASING THIS QUALITY PRODUCT. BE SURE TO CHECK ALL PACKING MATERIAL CAREFULLY FOR SMALL PARTS WHICH MAY HAVE COME LOOSE INSIDE THE CARTON DURING THE SHIPMENT. SEPARATE, IDENTIFY AND COUNT ALL PARTS AND METAL HARDWARE, COMPARE WITH THE PARTS LISTS BELOW TO BE SURE ALL PARTS ARE PRESENT.

PART LIST

CODE	DESCRIPTION	QTY.
1	TABLE TOP	1 PC
2	LEG MEMBER	2 PCS
3	SHELFT	1 SET

HARDWARE LIST

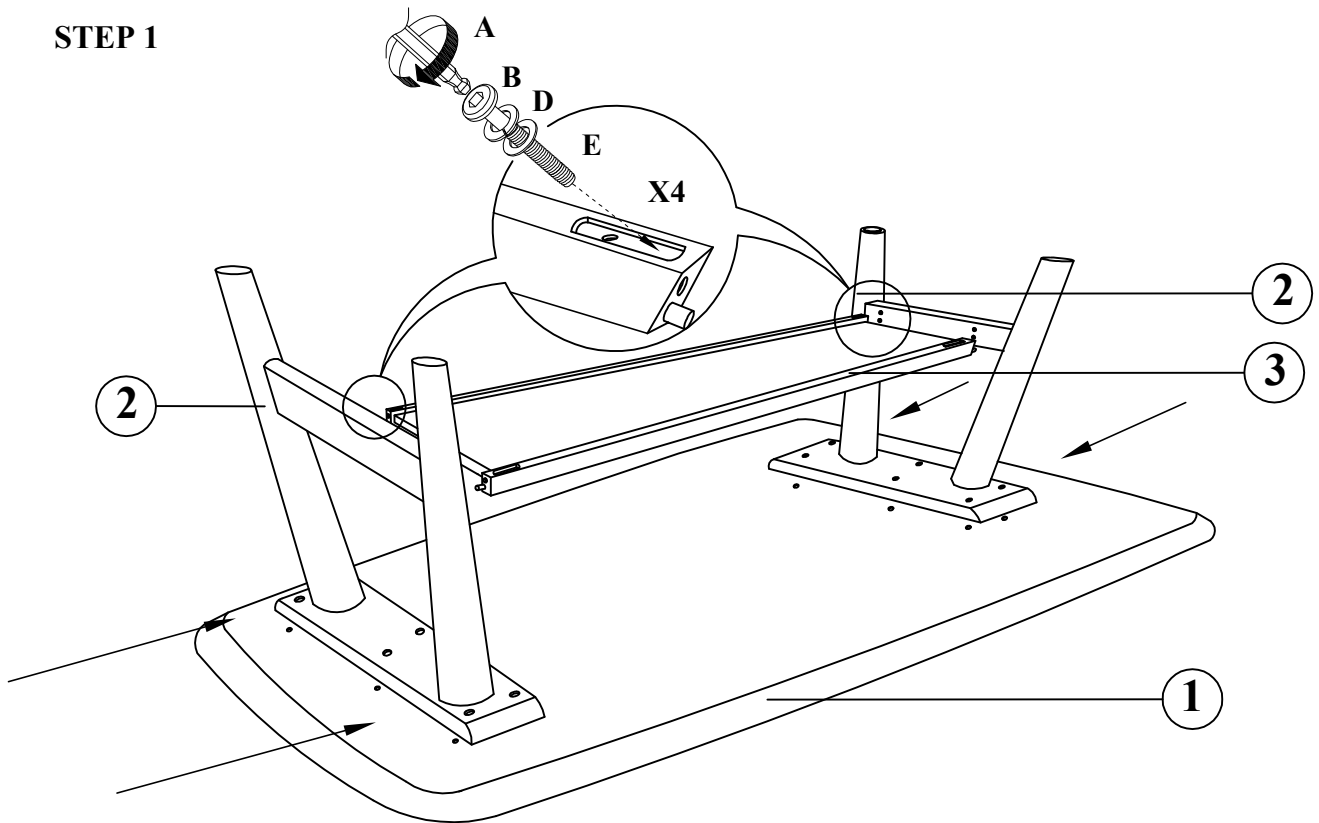
CODE	DESCRIPTION	QTY.
A	 ALLEN KEY M4 X 110MM	1 PC
B	 JCBC BOLT M6 X 50MM	4 PCS
C	 JCBC BOLT M6 X 30MM	12 PCS
D	 SPRING WASHER 1/4"	16 PCS
E	 FLAT WASHER M6 X 13MM	16 PCS

ASSEMBLY INSTRUCTIONS

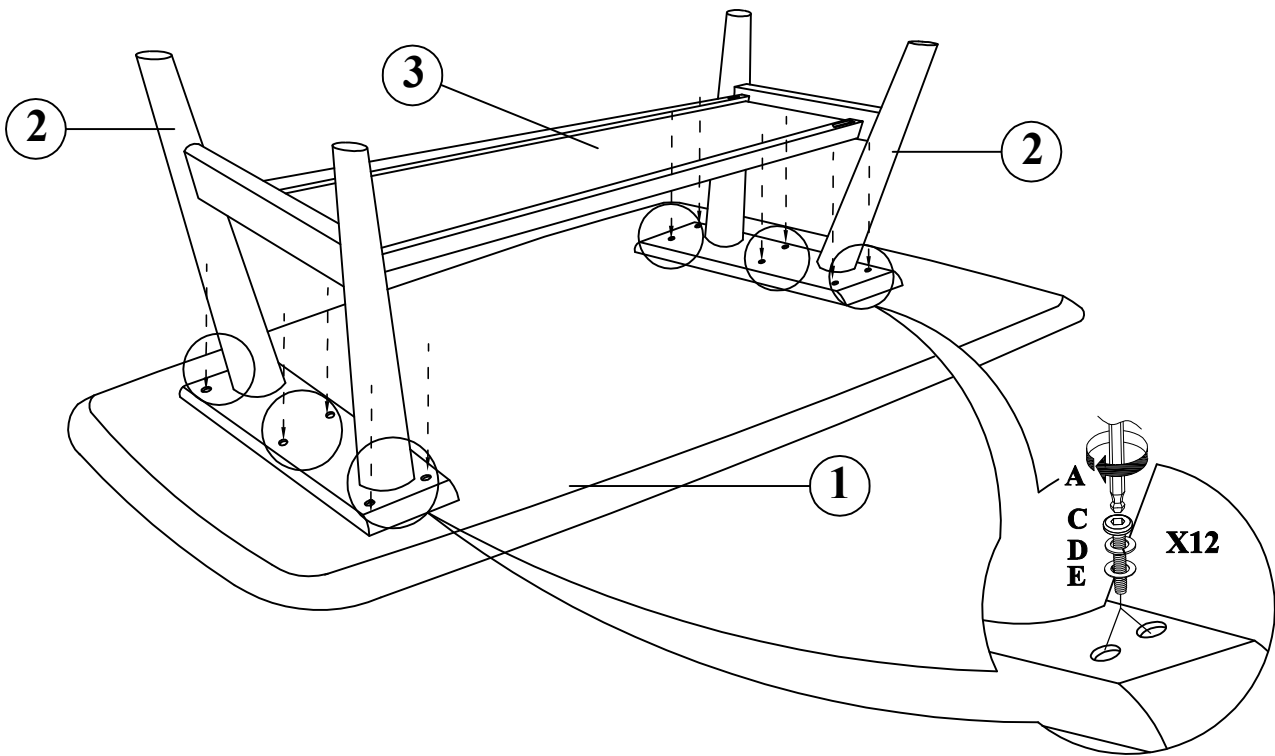
MODEL : TLF-1554

FCOCYAWM220906WN

STEP 1

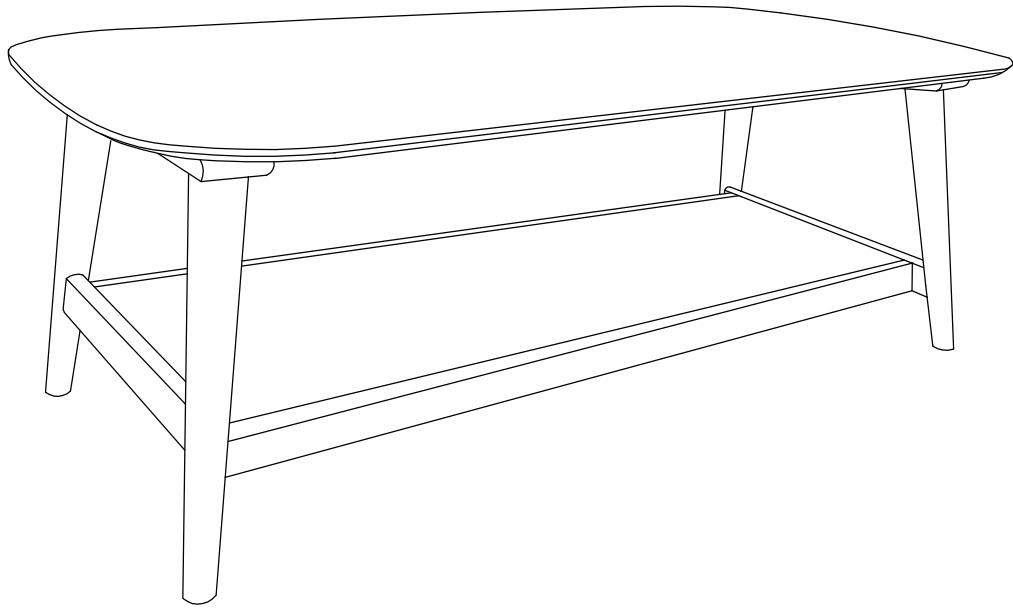


STEP 2



ASSEMBLY INSTRUCTIONS
MODEL : TLF-1554
FCOCYAWM220906WN

STEP 3



COMPLETE ASSEMBLY